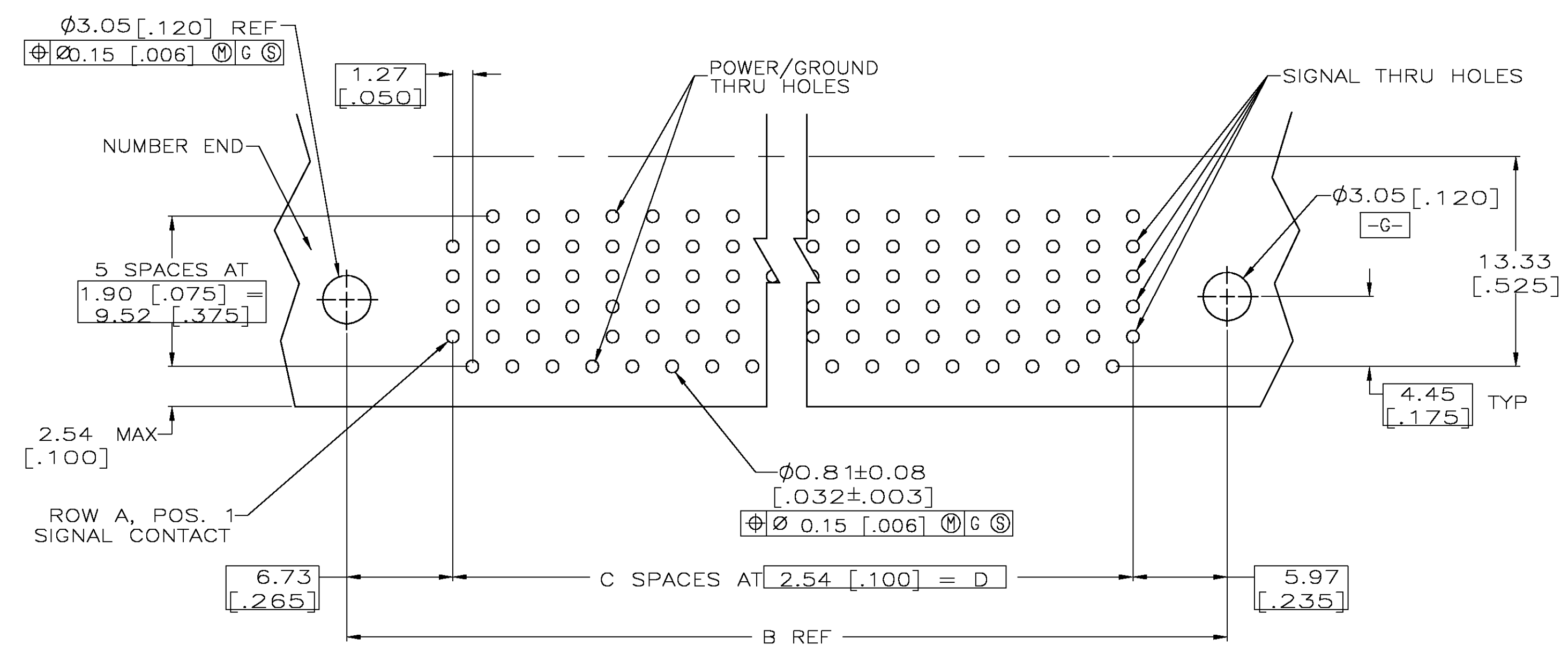
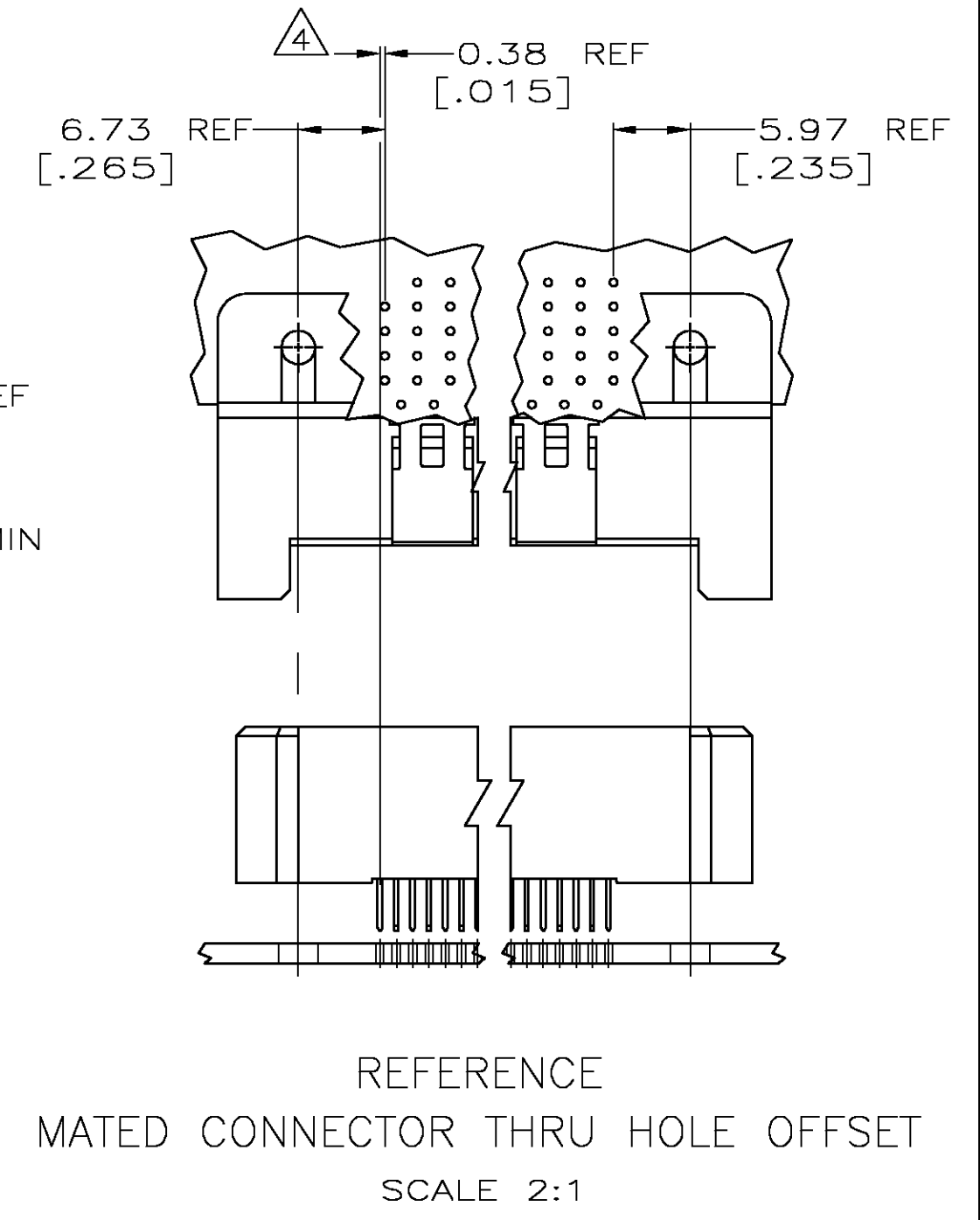
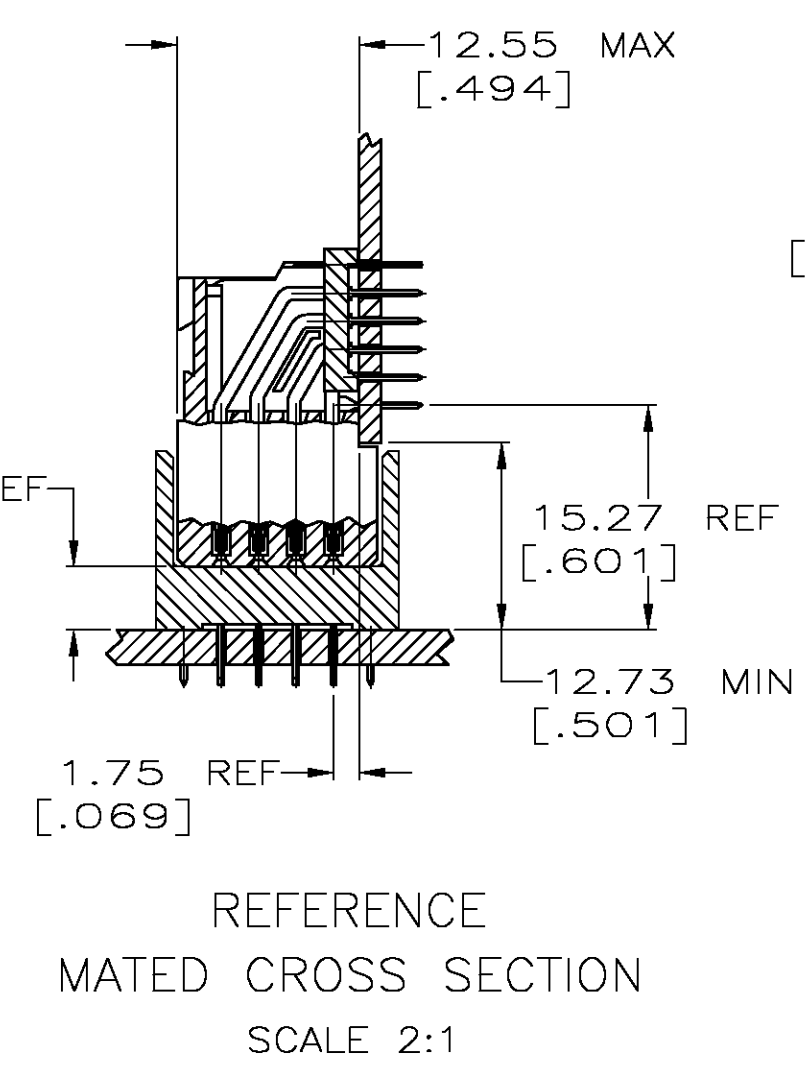
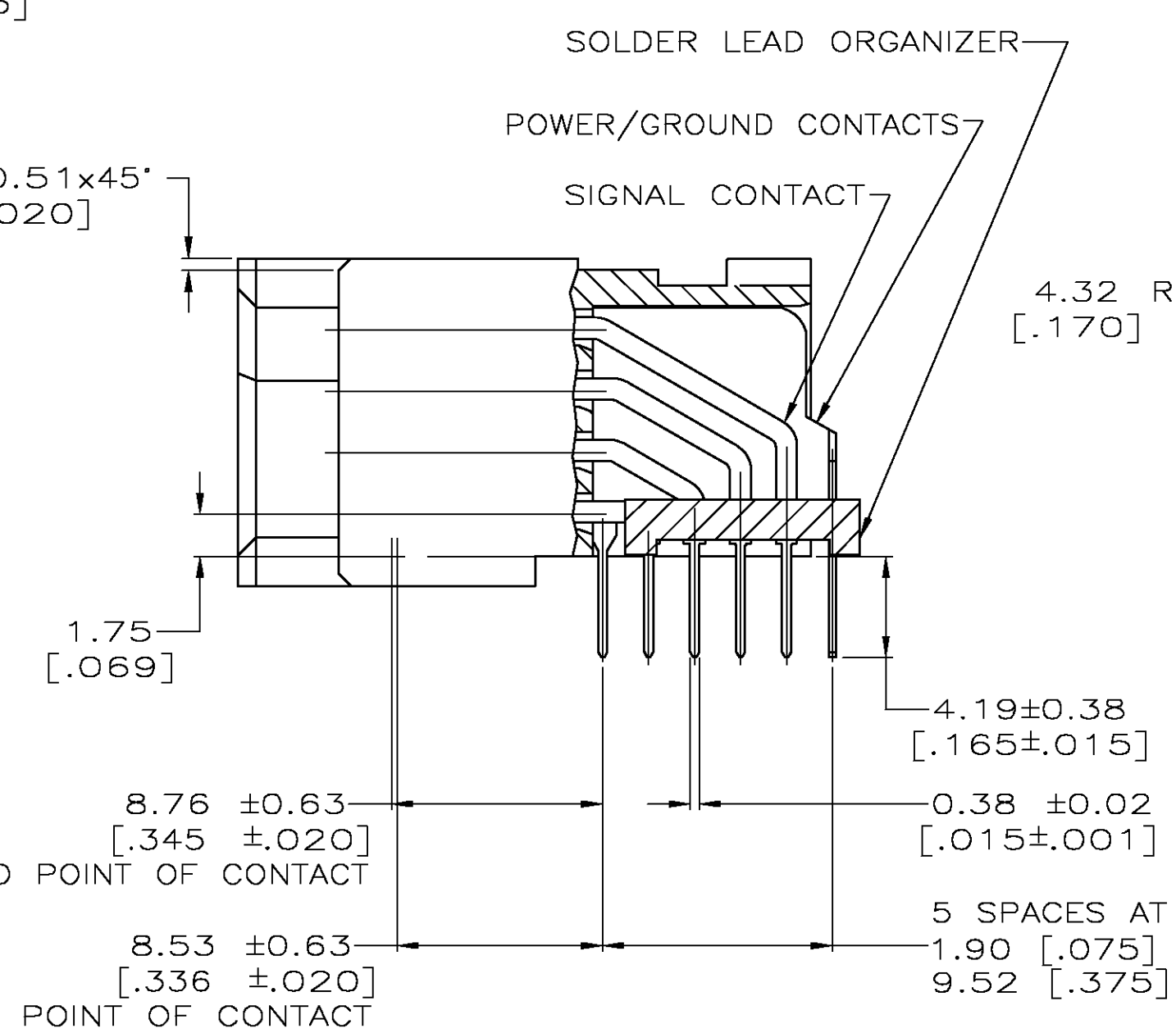
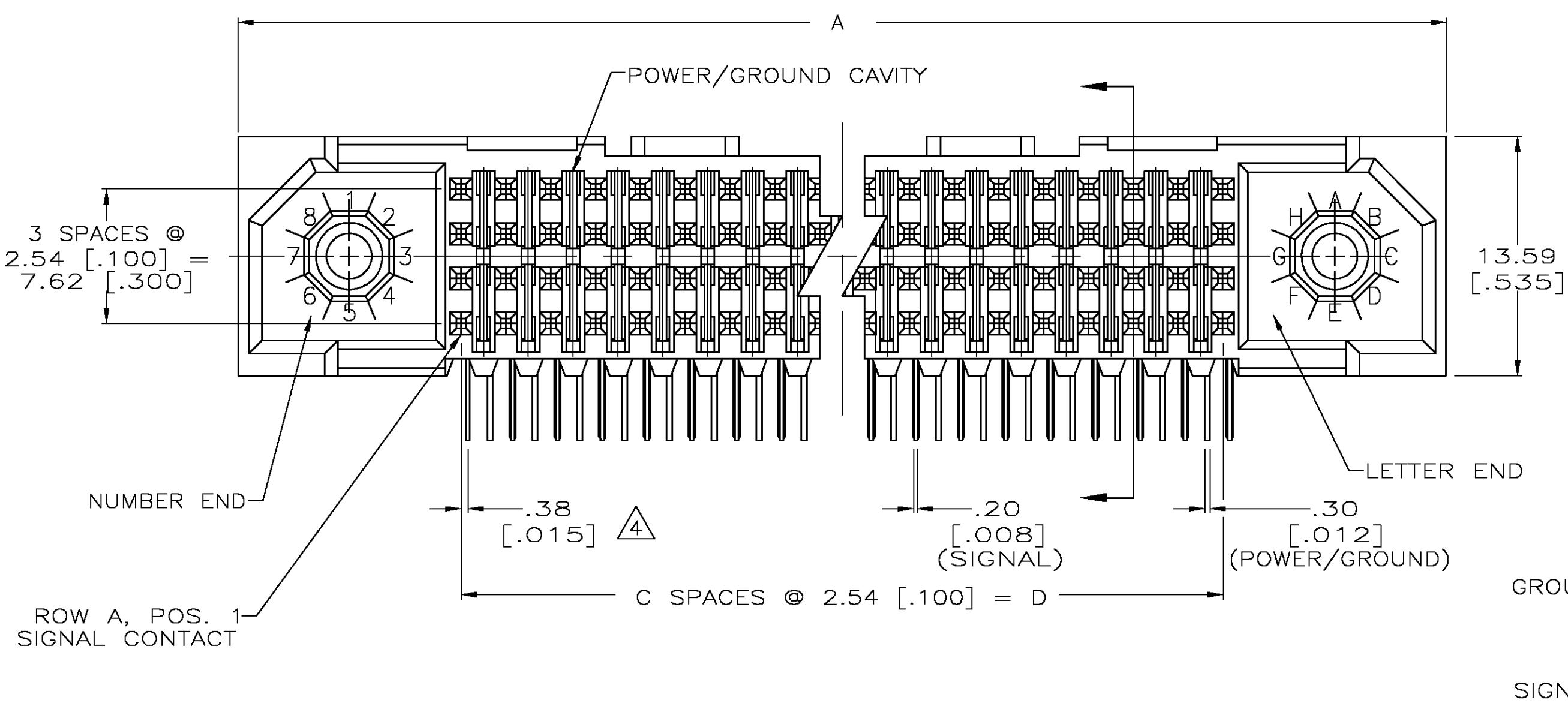


- △ HOUSING & ORGANIZER MATERIAL: LIQUID CRYSTAL POLYMER PER ASTM D5138-LCP000G30A32250, COLOR: BLACK.
- △ SIGNAL & POWER/GROUND PLANE CONTACT MATERIAL: PHOSPHOR BRONZE, PER CDA CS1100.
- △ CONTACT FINISH:
 ON MATING SURFACES-
 FLASH GOLD PER AMP INCORPORATED SPECIFICATION, OVER
 0.00076 [0.00030] MIN. PALLADIUM-NICKEL PER AMP INCORPORATED SPECIFICATION, OVER
 0.00127 [0.00050] MIN. NICKEL PER FEDERAL SPECIFICATION QQ-N-290, CLASS: 2, GRADE: n/a.
 ON LEADS-
 0.00381 [0.00150] MIN. TIN-LEAD PER MIL-P-81728, OVER
 0.00127 [0.00050] MIN. NICKEL PER FEDERAL SPECIFICATION QQ-N-290, CLASS: 2, GRADE: n/a.
- △ RECEPTACLE ASSEMBLY SOLDER LEADS ARE OFFSET .015 TOWARD THE LETTER END OF THE CAVITY CENTERLINE. THE PIN ASSEMBLY SOLDER LEADS ARE IN LINE WITH THE CAVITY CENTERLINE.



OBSELETE	-	-	-	-	-	1-646243-2
OBSELETE	-	-	-	-	-	1-646243-1
OBSELETE	-	-	-	-	-	1-646243-0
OBSELETE	-	-	-	-	-	646243-9
	99.06 [3.900]	39	111.76 [4.400]	124.36 [4.896]	160	646243-8
	175.26 [6.900]	69	187.96 [7.400]	200.56 [7.896]	280	646243-7
	149.86 [5.900]	59	162.56 [6.400]	175.16 [6.896]	240	646243-6
	137.16 [5.400]	54	149.86 [5.900]	162.46 [6.396]	220	646243-5
	111.76 [4.400]	44	124.46 [4.900]	137.06 [5.396]	180	646243-4
	86.36 [3.400]	34	99.06 [3.900]	111.66 [4.396]	140	646243-3
	60.96 [2.400]	24	73.66 [2.900]	86.26 [3.396]	100	646243-2
OBSELETE	35.56 [1.400]	14	48.26 [1.900]	60.86 [2.396]	60	646243-1
	D	C	B	A	NUMBER OF SIGNAL POSITIONS	PART NUMBER

RECOMMENDED CIRCUIT PATTERN
 PER ANSI/IPC-D-300 TYPE II, CLASS C
 (COMPONENT SIDE)



THIS DRAWING IS A CONTROLLED DOCUMENT. DWG: D.R.BENDER 10/07/92
 CHK: S.S.HEADER 10/09/92
 APPD: NAME: Tyco Electronics Corporation, Harrisburg, PA 17105-3608
 PRODUCT SPEC: 108-1244
 APPLICATION SPEC: 114-1065
 WEIGHT: (TBD)
 SIZE: A1 CASE CODE: 00779 C=646243
 CUSTOMER DRAWING SCALE: 4:1 SHEET: 1 OF 1 REV: F